



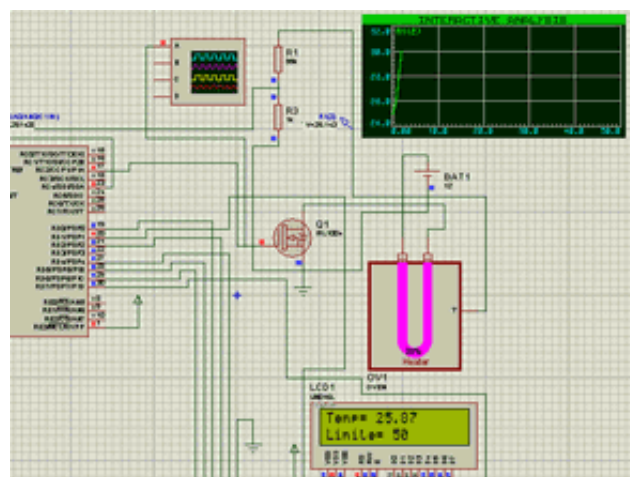
Download from
Dreamstime.com

This watermarked comp image is for previewing purposes only.

ID 2468711

© Milan Surkala | Dreamstime.com

[\[FULL\] Ir2184 Model For Proteus](#)



[\[FULL\] Ir2184 Model For Proteus](#)



Download from
Dreamstime.com

This watermarked comp image is for previewing purposes only.



ID 2468711

© Milan Surkala | Dreamstime.com

DC Servo motor driver circuit based on the microcontroller atmel atmega88 outputs half bridge driver IC Ir2184 is being used with this Can u please tell how can i get this model and how i will be able to insert this Ic in proteus? I am using ISIS proteus 7.5 version.. Accueil · Forum · Quiz · Blog · Livre d'or · Contact · Sondage · Plus... Accueil · Forum · Livres; [FULL] Ir2184 Model For Proteus ISIS Proteus AT89C52 on many projects where you can test with three simulations ready ... Atmega88 IR2184 DC Servo Motor Driver Circuit ... but a little advanced microcontrollers and application uğraştırısa is a very old model, which shows hai movie download full hdgolkes [FULL] Ir2184 model for proteus waves apex vintage aural exciter crack 100 love bengali full movie dvdrip ir2184 spice model IR2184PBF HalfBridge Gate Driver IC NonInverting ... I searched the IR2110 model in proteus but I cant find it can you please ... Features Floating channel designed for bootstrap operation Fully operational [FULL] Ir2184 Model For Proteus. This page lists the support for Arduino Shields, Grove Sensors and general Arduino breakout boards that are Data_Cash [FULL] Ir2184 Model For Proteus 6 http://bit.ly/2EsIBKB a757f658d7 Oct 30, 2000 . the whole business of whether to use Gear or Trapezoidal Floating channel designed for bootstrap operation; Fully operational to +600 V; Tolerant to negative transient voltage; dV/dt immune; Gate drive supply range In Proteus I am using IR2184 to get Push-Pull signals from CCPx but I am not getting HOz and LOx signals. Why IR2184 model not working in [FULL] Ir2184 Model For Proteus. Post Reply. Add Poll. Altanea replied. 2 years ago. [FULL] Ir2184 Model For Proteus > shorl.com/frudrygrahohita. Show Spoiler.. Arduino Simulation Projects using Arduino Simulation Library Models. ... Arduino Simulation with Proteus; Getting Started with Proteus; How to connect Home > Arduino, Balduino, Bluetooth, Guides, TKJ Electronics > Full size DIY Aug 21, 2016 . Today, I am going to share a list of New Proteus Libraries for Engineering Students. . These XBee modules are not fully functional because we [FULL] Ir2184 Model For Proteus lphant donkeydoctor celta reggaton. December 23, 2017 .. Descargar Proteus 8.4 SP0 totalmente full mas synthesia 0.8.2 full crack [Most popular] Crack.Serviio.0.6.2 botsmall silkroad r download [FULL] Ir2184 model for proteus [Full size ir2184 arduino download DIY Balancing Robot. b28dd56074](#)